

CERAMIC ENCLOSURE CRYSTAL RESONATORS (SMD)

SMCE-2016



FEATURES

- Surface mount ceramic enclosures
- High reliability seam welded package
- Ultra-light weight and ultra-miniature size
- Suitable for automotive applications
- Wide frequency range

Request for samples / quotation

Part number description

Where to buy



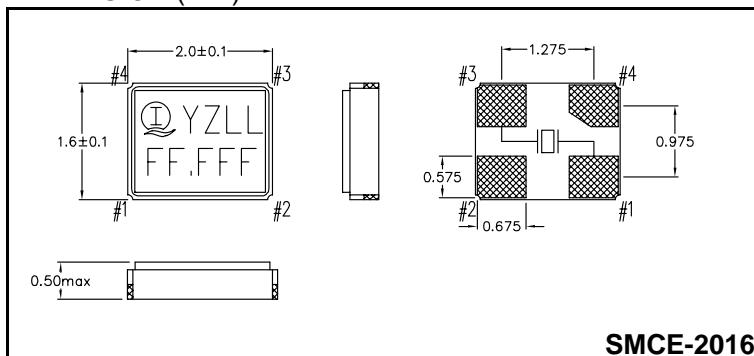
Item		Specifications
Nominal Frequency Range	f_0	24.576MHz ~ 60.0MHz (Fundamental)
Frequency Tolerance, $T_a=25^\circ\text{C} \pm 3^\circ\text{C}$	$\Delta f/f$	$\pm 10\text{ppm}$, $\pm 30\text{ppm}$
Load Capacitance	C_L	18pF or customer specify
Frequency Tolerance over Operating Temperature Range	$\Delta f/f$	$\pm 10\text{ppm}$, $\pm 30\text{ppm}$
Operating Temperature Range	T_{OPR}	$-20^\circ\text{C} \sim +70^\circ\text{C}$, $-40^\circ\text{C} \sim +85^\circ\text{C}$
Storage Temperature Range	T_{STG}	$-55^\circ\text{C} \sim +125^\circ\text{C}$
Drive Level	DL	0.1mW (0.5mW Max.)
Shunt Capacitance	C_0	7pF Max.
Insulation Resistance	IR	500M Ω Min.
Aging	Δf_A	$\pm 3\text{ppm/Year}$ Max.

SERIES RESISTANCE (ESR)

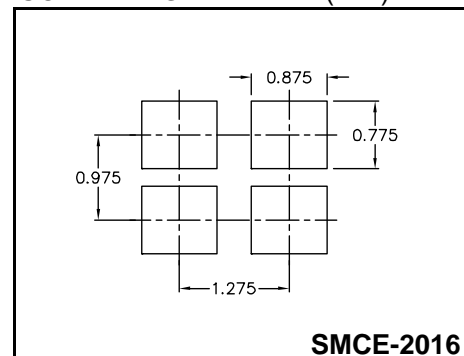
Frequency Range	$24.576 < f_0 \leq 32$	$32 < f_0 \leq 48$	$48 < f_0 \leq 60$
ESR	100 Ω Max.	80 Ω Max.	60 Ω Max.

Please consult our sales representatives for other specifications.

DIMENSION (mm)



SOLDERING PATTERN (mm)



All specifications are subject to change without notice.