

# LOW FREQUENCY TUNING FORK RESONATORS (SMD)

## SMLF-26



### FEATURES

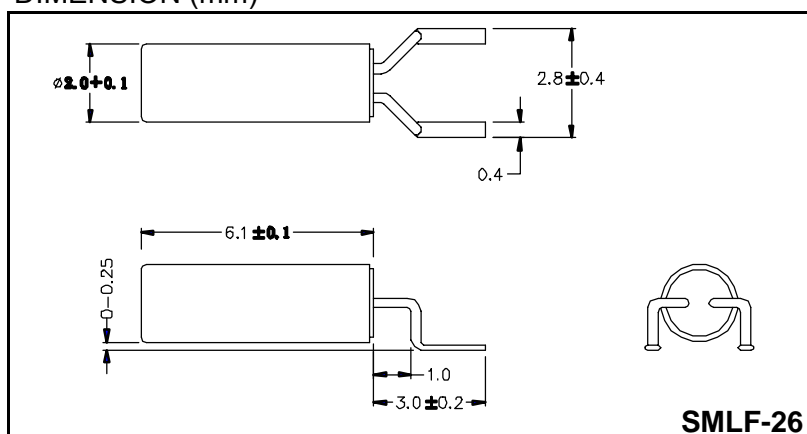
- Small Size
- Surface Mount
- Pick and Place Assembly



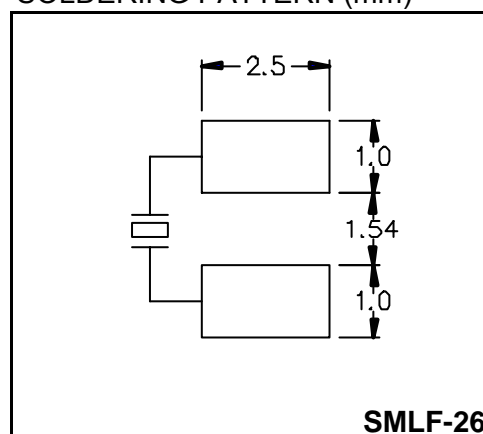
Item		Specifications
Nominal Frequency	$f_0$	32.768KHz (Standard frequency)
Nominal Frequency Range	$f_0$	30KHz ~ 200KHz
Frequency Tolerance, $T_a=25^{\circ}\text{C} \pm 3^{\circ}\text{C}$	$\Delta f/f$	$\pm 20\text{ppm}$
Load Capacitance	$C_L$	12.5pF
Temperature Coefficient	$\Delta f/f$	$-0.034 \pm 0.006\text{ppm}/^{\circ}\text{C}^2$
Operating Temperature Range	$T_{\text{OPR}}$	$-10^{\circ}\text{C} \sim +70^{\circ}\text{C}$
Storage Temperature Range	$T_{\text{STG}}$	$-55^{\circ}\text{C} \sim +125^{\circ}\text{C}$
Drive Level	DL	0.1mW (0.5mW Max.)
Series Resistance (ESR)	$R_1$	50K $\Omega$ Max.
Insulation Resistance	IR	500M $\Omega$ Min.
Aging	$\Delta f_A$	$\pm 5\text{ppm}/\text{Year Max.}$

Please consult our sales representatives for other specifications.

### DIMENSION (mm)



### SOLDERING PATTERN (mm)



### Handling instructions.

- 1 Soldering on the body of the enclosure should be strictly avoided as it might damage the crystal. Rubber adhesive is recommended to hold the crystal on the PCB.
- 2 Maximum reflow soldering temperature at  $+240^{\circ}\text{C}$  for 10 seconds.

All specifications are subject to change without notice.