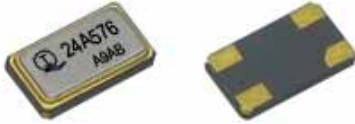


# CERAMIC ENCLOSURE CRYSTAL RESONATORS (SMD)

## SMCE-6035



### FEATURES

- Surface mount ceramic enclosures
- High reliability seam welded seal
- Wide frequency range

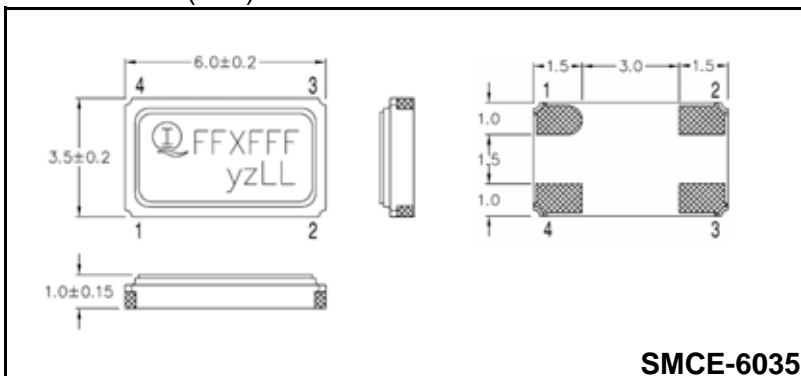


Item		Specifications
Nominal Frequency Range	$f_0$	8.0MHz ~ 50.0MHz (Fundamental)
		40.0MHz ~ 80.0MHz (3.O.T)
Frequency Tolerance, $T_a=25^\circ\text{C} \pm 3^\circ\text{C}$	$\Delta f/f$	$\pm 30\text{ppm}$
Load Capacitance	$C_L$	18pF
Frequency Tolerance over Operating Temperature Range	$\Delta f/f$	$\pm 30\text{ppm}$
Operating Temperature Range	$T_{\text{OPR}}$	$-10^\circ\text{C} \sim +70^\circ\text{C}$
Storage Temperature Range	$T_{\text{STG}}$	$-55^\circ\text{C} \sim +125^\circ\text{C}$
Drive Level	DL	0.1mW (0.5mW Max.)
Shunt Capacitance	$C_0$	7pF Max.
Insulation Resistance	IR	500M $\Omega$ Min.
Aging	$\Delta f_A$	$\pm 3\text{ppm/Year Max.}$

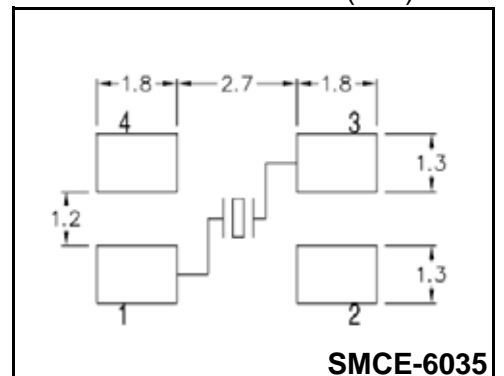
SERIES RESISTANCE (ESR)						
Frequency Range	$8 < f_0$ 12	$12 < f_0$ 16	$16 < f_0$ 25	$25 < f_0$ 30	$30 < f_0$ 50	$40 < f_0$ 80 (3.O.T)
ESR	80 $\Omega$ Max.	60 $\Omega$ Max.	50 $\Omega$ Max.	35 $\Omega$ Max.	25 Max.	80~100 Max.

Please consult our sales representatives for other specifications.

### DIMENSION (mm)



### SOLDERING PATTERN (mm)



All specifications are subject to change without notice.